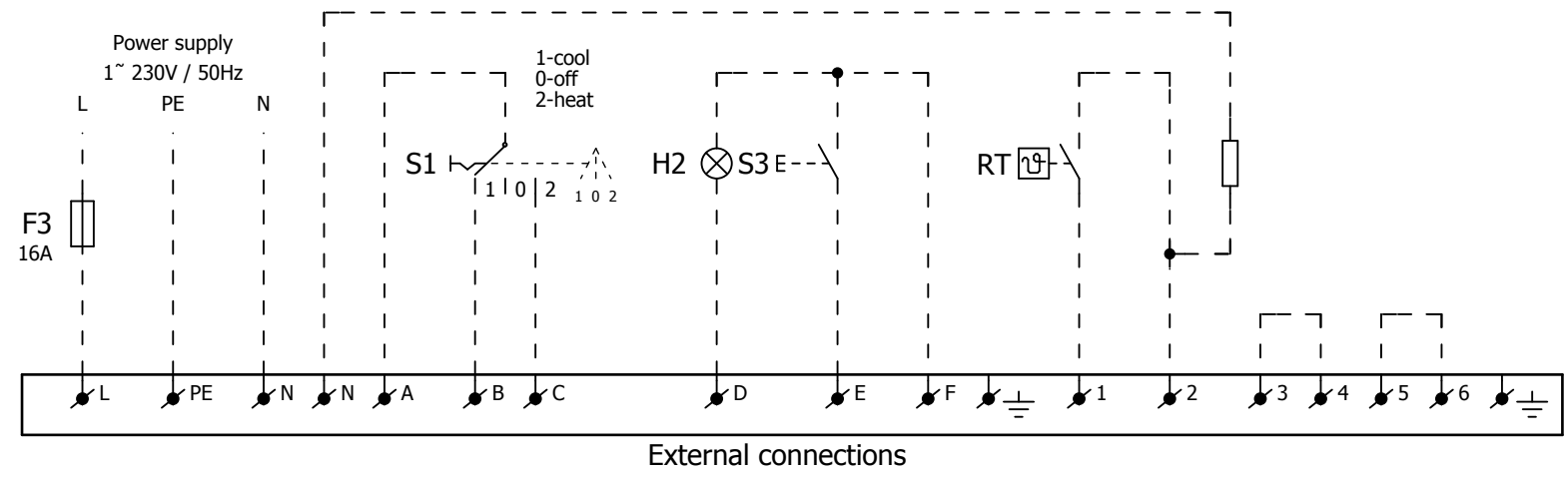
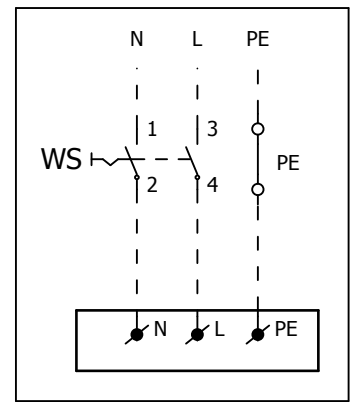


Connection with isolator switch



- | F1,F2,F3 - Fuse
- | GV1/GV2 - Gasvalve
- | H1,H2 - Alarm light
- | IS - Ionisation
- | K1, K2 - Auxillary relay
- | LD2 - pressure switch
- | RGV - Fluefan
- | RT - Room thermostat
- | S1 - Selector switch
- | S2,S3 - Reset button
- | STB - Safety thermostat
- | STW1 - Maximum thermostat
- | T.MIN - Minimal thermostat
- | TR - Transformer
- | WS - Isolator switch

