



Boilers

Ecoflex, Powerflex, Megaflex, Maxiflex

High efficiency boilers. Output from 168 to 2200 kW.



For more information, downloads and videos, visit the Boiler pages on our website



The high-efficiency boilers of Mark

The Mark High-efficiency boilers are very compact, sustainable and available in 4 different models:

- ECOFLEX (capacities: 168 kW, 210 kW, 252 kW and 294 kW)
- POWERFLEX (capacities: 340 kW up to 600 kW)
- MEGAFLEX (capacities: 850 kW and 1020 kW)
- MAXIFLEX (capacities: 2200 kW)

The Mark boilers are a.o. suitable to heat offices, garages, warehouses, apartment buildings, workshops, distribution centers and showrooms.

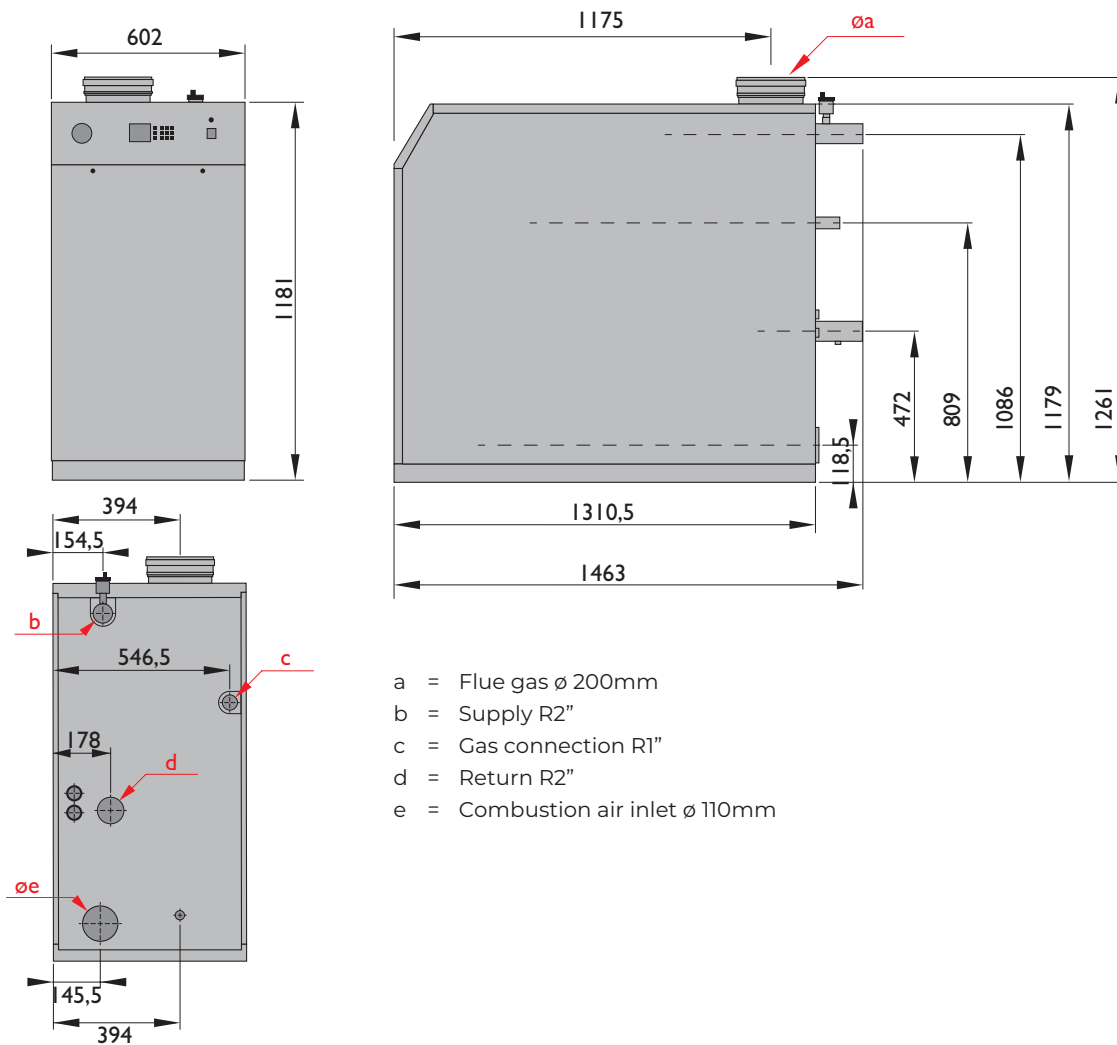
For a complete heating solution from Mark it is also possible to combine the Mark boilers with water-supplied products such as the TANNER MDA and INFRA AQUA ECO.

Product features

- Competitive pricing
- Proven and innovative technology
- Cast aluminum heat exchanger
- Robust
- Low-noise
- Advanced diagnostic system
- Very low maintenance interval
- Low service interval
- Integrated pump control
- Closed version available
- Cascade control already integrated
- Weather-dependant control
- Control:
 - On/off thermostat
 - OpenTherm
 - BMS 0-10V control



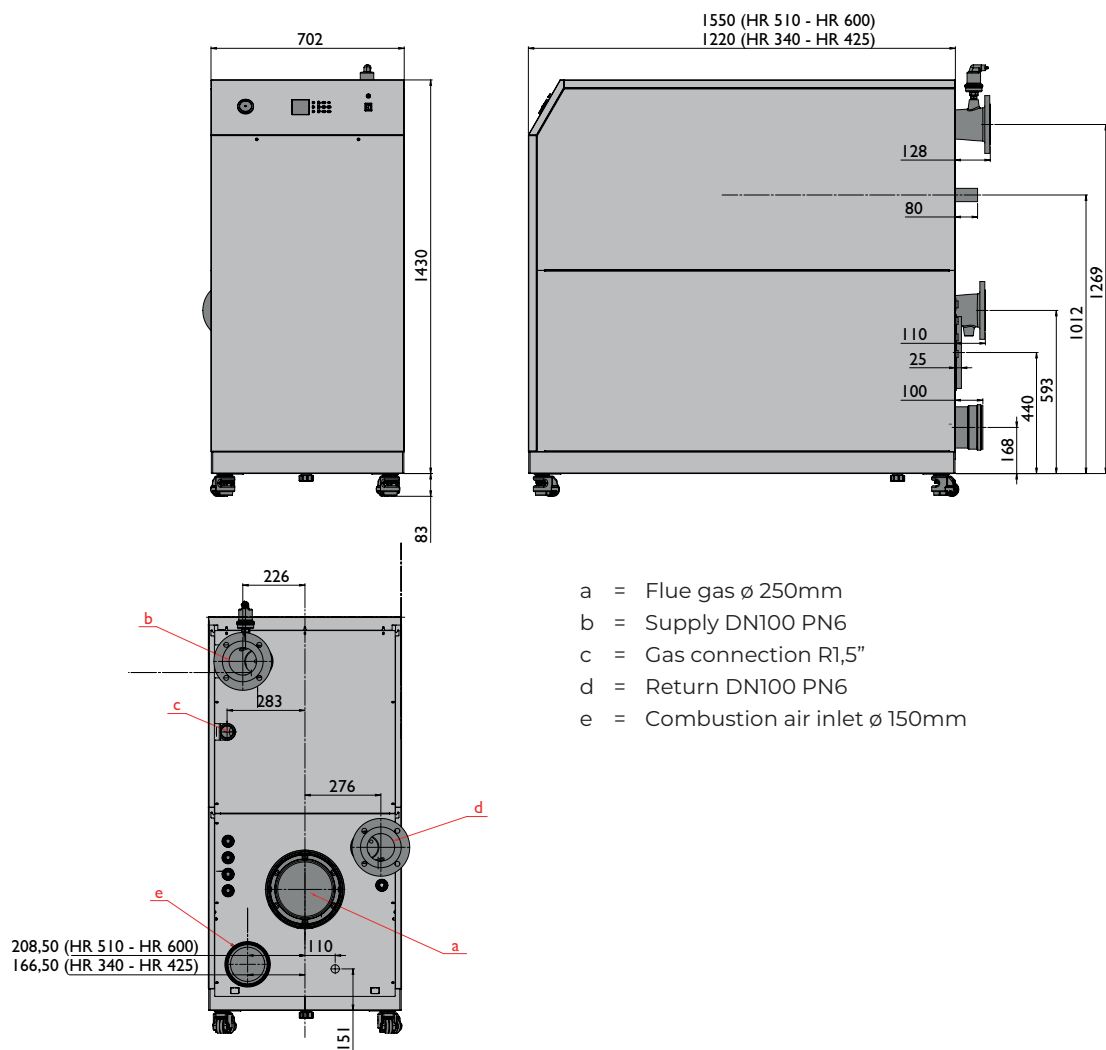
Dimensions ECOFLEX



Technical information ECOFLEX

ECOFLEX		HR 168	HR 210	HR 252	HR 294
Nominal output 80/60 °C	kW	163,6	204,5	245,4	282,5
Efficiency	%	107,5	107,5	107,5	107,5
Operating pressure	bar	6	6	6	6
Weight	kg	193	210	227	244
Supply voltage	230V 1F ~50 Hz				

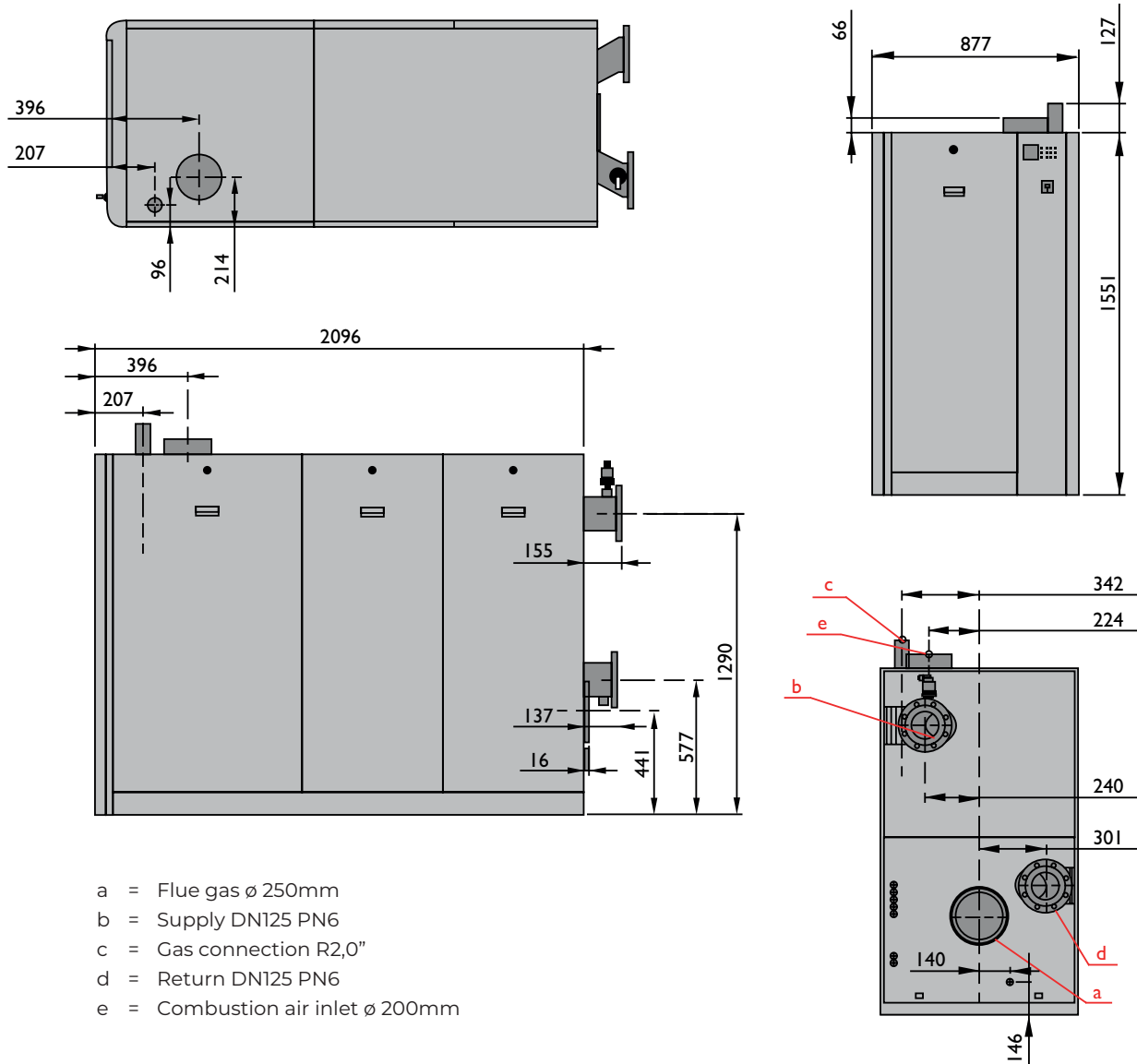
Dimensions Powerflex



Technical information Powerflex

POWERFLEX		HR 340	HR 425	HR 510	HR 600
Nominal output 80/60 °C	kW	331	413,1	495,7	578,3
Efficiency	%	108,1	108,1	108,1	108,1
Operating pressure	bar	6	6	6	6
Weight	kg	330	365	429	464
Supply voltage	230V 1F ~50 Hz				

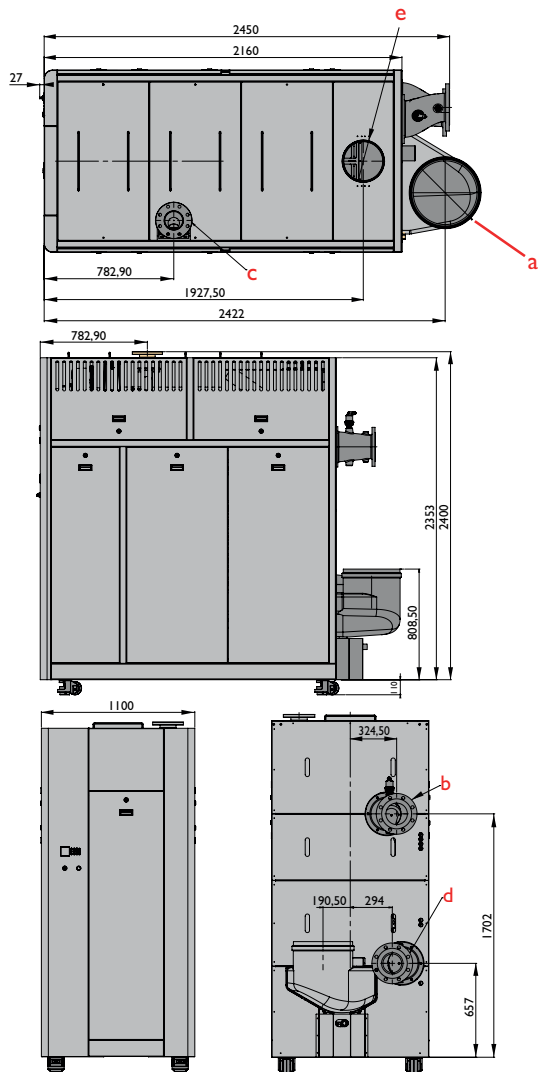
Dimensions Megaflex



Technical information Megaflex

MEGAFLEX		HR 850	HR 1020
Nominal output 80/60 °C	kW	828,8	994,5
Efficiency	%	108,3	108,3
Operating pressure	bar	6	6
Weight	kg	625	700
Supply voltage		400V~3N/10	

Dimensions Maxiflex



- a = Flue gas \varnothing 400 mm
- b = Supply DN150 PN10
- c = Gas connection R2,0"
- d = Return DN150 PN10
- e = Combustion air inlet \varnothing 250 mm

Technical information Maxiflex

MAXIFLEX		HR 2200
Nominal output 80/60 °C	kW	2156
Efficiency	%	107,9
Operating pressure	bar	6
Weight	kg	1740
Supply voltage		230V 1F ~50 Hz

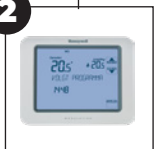
Controls



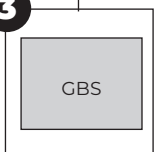
1



2



3



Control combination options

CV-ketel + **1**

CV-ketel + **2**

CV-ketel + **3**

See price list for description and code numbers of the relevant items