

# G-TYPE

## GAS-FIRED AIR HEATER



## A wide variety of uses

The G-TYPE is a vertical or horizontal oil or gas-fired air heater with a capacity of 570 kW to 1050 kW. The appliance can both flow down freely into the room and can be connected to a conduit system. The Mark G-TYPE can be installed in stoke-rooms. Almost all brands and types of burner can be used in the Mark G-TYPE. The G-TYPE is therefore versatile.

### Fan

- A dual blast centrifugal ventilator with bent blades
- Vee-belt drive

### Housing

- Pre-painted steel plating.
- Frame: aluminium profiles.

### Standard equipment

- AISI 430 blast chamber
- AISI 409 heat exchanger
- Electrical switch box
- Three-way thermostat
- Motor cut-out

### Accessories/options

- Various burners
- Room thermostat
- Remote control
- Gas density control
- Flue gas fan
- Working hours counter
- Stainless steel heat exchanger
- Outside installation


### Sections enclosed

- Connection
- Grid
- Empty section
- Filter section with differential pressure switch
- Servo or manually-operated slatted valves
- Weather grill
- Flexible connection
- Adjustable down flow hood

### Adjustments:

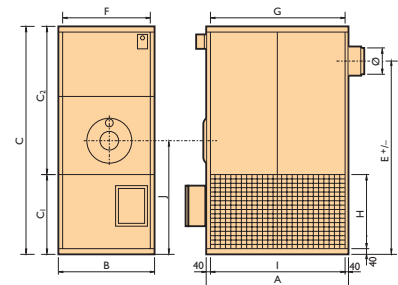
- On/off
- High/low
- Modulating

The Mark G-TYPE can be used in the following rooms: sports halls, churches, offices and shops.

 Remote connection possible with the PinTherm Connect!

# Dimensions

Type		G500	G600	G750	G900
Dimensions	A	2300	2820	2820	3720
	B	1340	1550	1620	1620
	C	2660	2960	3100	3100
Flue position	E +/-	2280	2572	2672	2672
	ø	306	356	406	406
Air out	F	1260	1470	1540	1540
	G	2220	2740	2740	3640
Air intake	H	930	970	970	970
	I	2220	2740	2740	3640
Burner	J	1345	1530	1530	1530

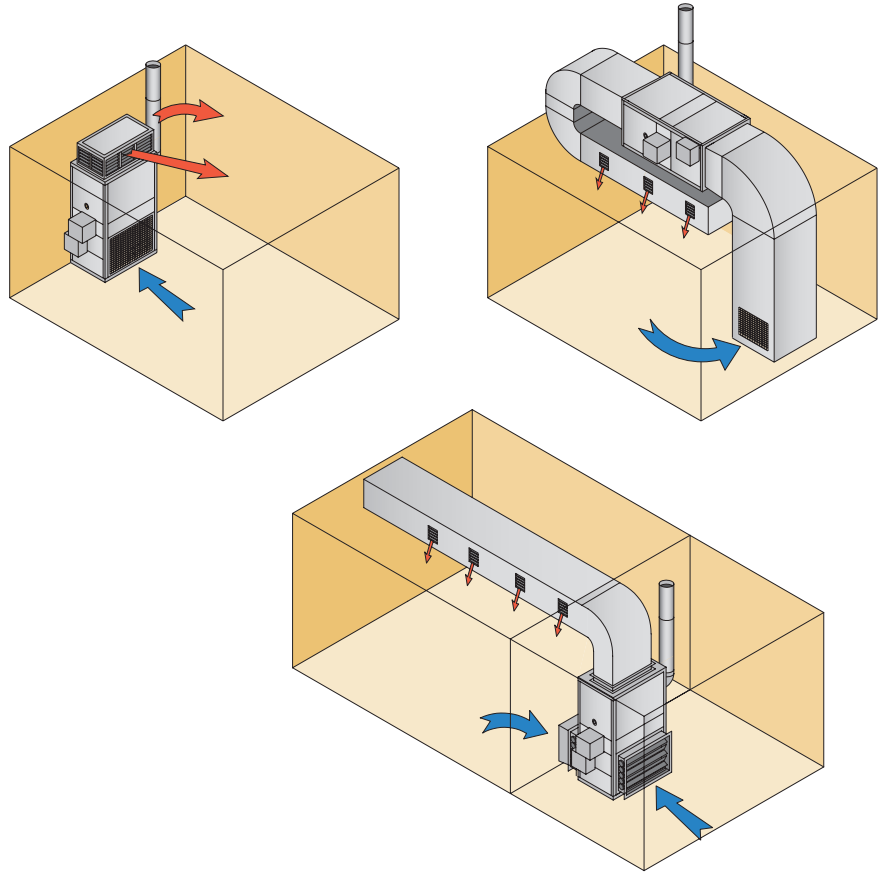


Type	G600	G750	G900
C1	1050	1050	1050
C2	1910	2050	2050

# Technical information

Type		G500	G600	G750	G900
Nominal load (lower value)	kW	632,3	763,4	957,3	1136,0
Nominal power	kW	569,8	697,7	872,1	1047,0
Air displacement with $\Delta T$ 45K	m <sup>3</sup> /h 18 °C	38700	46500	55200	69500
Electrical connection (50Hz)	V	3~400+N	3~400+N	3~400+N	3~400+N
Gas consumption G20	m <sup>3</sup> /h	67,0	80,8	101,4	120,3
Gas consumption G25	m <sup>3</sup> /h	77,8	94,0	117,8	140,0
Gas consumption G31	kg/h	48,2	58,1	72,9	86,5
Gas consumption G30	kg/h	49,0	59,1	74,1	88,0
Oil consumption	kg/h	53,3	64,4	80,7	95,8
Noise level (4m)	dB(A)	76	75	76	78
Weight	kg	1550	1850	2300	2800

## Assembly/location suggestions



## Controls

