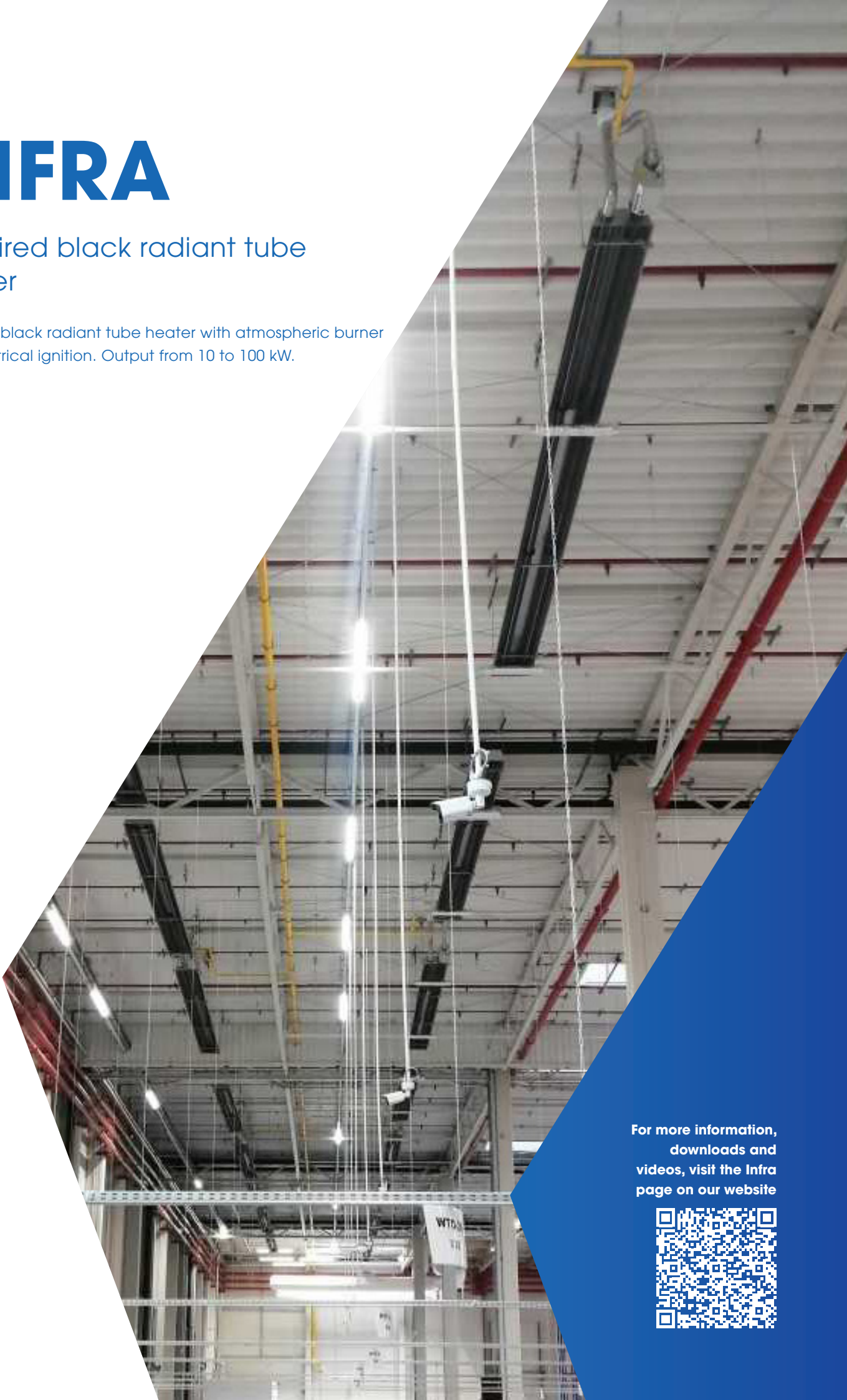


# INFRA

## Gas-fired black radiant tube heater

Gas-fired black radiant tube heater with atmospheric burner and electrical ignition. Output from 10 to 100 kW.



For more information,  
downloads and  
videos, visit the Infra  
page on our website



## High efficiency black tube radiant heater



### Product features

- Available in 6 different types from 9 to 44,2 kW
- Various sizes, from 3 to 18 m length
- Highly reflective reflector hood, optional double air insulated (type +)
- The radiator with a double air-insulated reflector can be optimized energetically by using a flue gas cooler (type ++)
- The highly reflective radiation hood features integrated V-shaped reflectors and end caps
- Available in natural gas and propane
- Easy installation and maintenance
- Optional: waterproof stainless steel version for damp rooms

Mark INFRA / INFRA MONO black tube radiant heaters heat with long-wave infrared radiation. Radiant heating is based on the principle of heat transfer from a warm object to an object of lower temperature by means of electromagnetic wave energy. This electromagnetic wave, not hindered by air, radiates walls, floor and the people present in the room.

As soon as the infrared radiation gets in contact with the human body, it is converted into heat. This does not cause any change in the air temperature. This method of heat generation is considered very pleasant.

The more intense the radiant heat is, the less the actual air temperature has to be increased for a comfortable indoor climate. Therefore, heating with the Mark INFRA system is much more economical compared to conventional systems.

Possible applications include: sports halls, production facilities, aircraft hangars, showrooms and garages.

### The benefits of radiant heating include:

- A radiation efficiency of up to 75% according to EN 416-2
- A flue efficiency higher than 90%
- No spreading of dust and low noise level during operation
- Can be used in a focused way to enable a high energy efficiency
- A uniform heat distribution across the entire length of the radiator is achieved by the use of an overpressure burner with a long stable flame, in combination with built-in turbulators in the radiant tube
- By using a 1-stage or 2-stage control the output of the radiant heater is adapted to the required heat

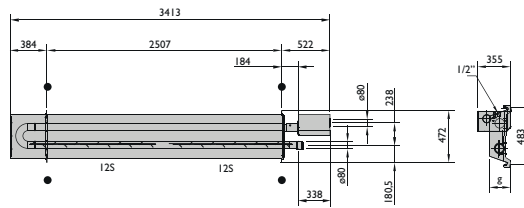


Remote control possible with the PinTherm Infra Connect IoT! Control the thermostat from anywhere in the world via a secure Cloud environment in the browser of your PC, tablet or smartphone. No need to open a firewall port for this. With the optional WiFi module, a LAN cable is also no longer needed for the thermostat.



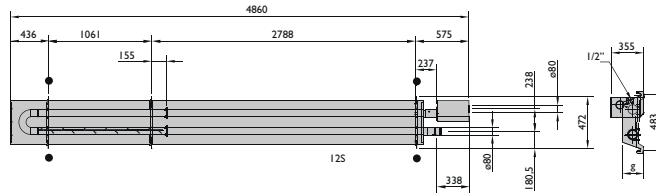
## Dimensions

INFRA 10-3

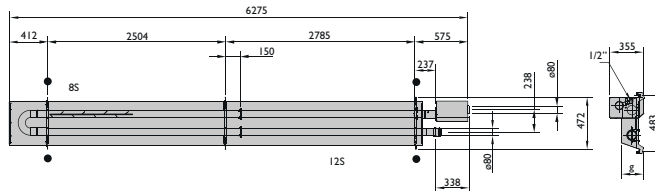


● suspension point

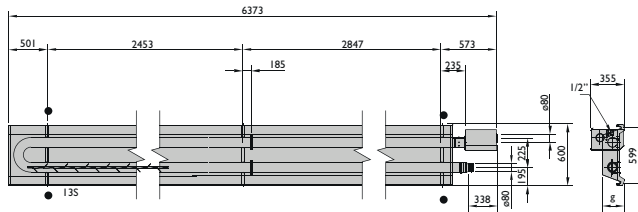
INFRA 15-5



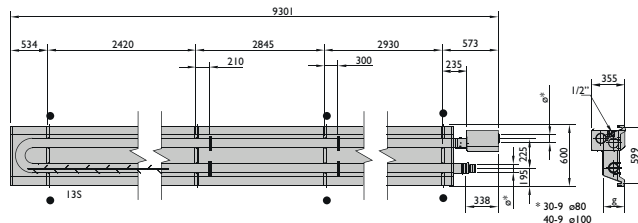
INFRA 20-6



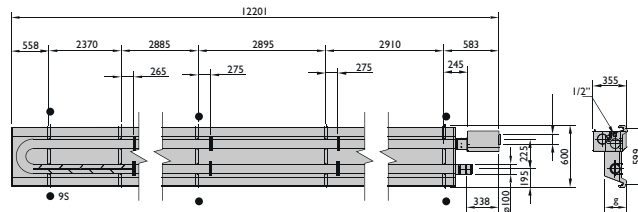
INFRA 30-6



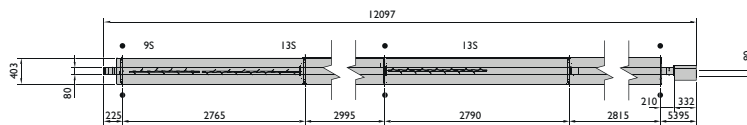
INFRA 30-9 / 40-9 / 50-9



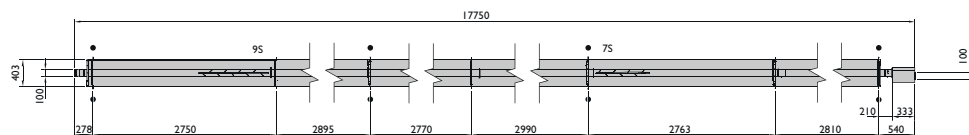
INFRA 50-12



INFRA MONO 30-12



INFRA MONO 50-18

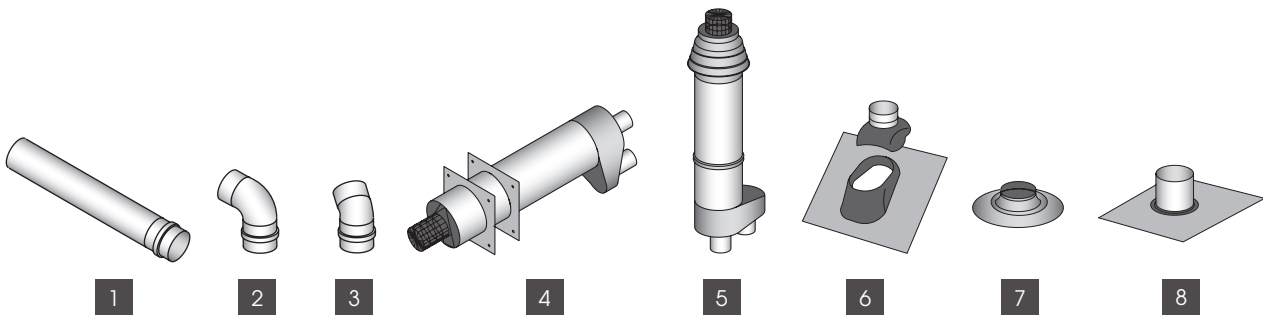


## Technical information

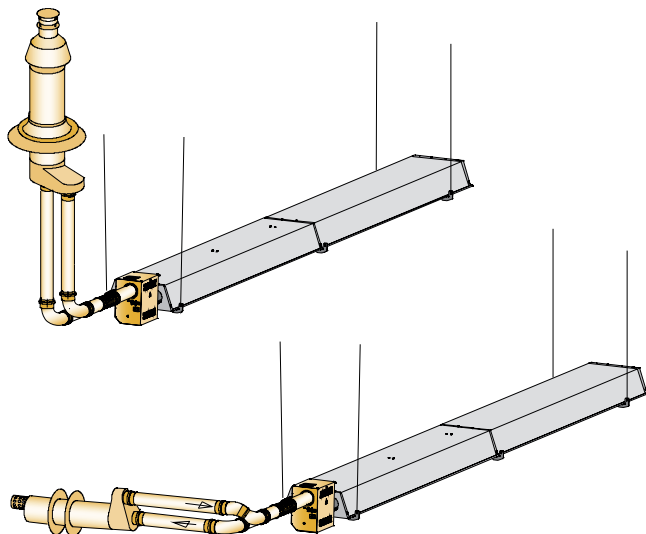
Type		10-3	15-5	20-6	30-6	30-9	40-9	50-9	50-12	30-12 MONO	50-18 MONO
Nominal load (NCV)	kW	10,0	14,0	18,0	28,0	30,0	38,0	46,0	49,9	30,0	49,9
Flue efficiency (NCV)	%	91	90,7	90,6	90,0	91,7	90,5	90,0	90,3	91,7	90,3
Gas consumption G20 (15°C)	m <sup>3</sup> /h	1,10	1,50	1,90	2,90	3,20	3,90	4,9	5,30	3,20	5,30
Gas consumption G25 (15°C)	m <sup>3</sup> /h	1,20	1,70	2,20	3,30	3,60	4,60	5,4	5,90	3,60	5,90
Gas consumption G31 (15°C)	kg/h	0,79	1,11	1,42	2,12	2,21	2,99	3,72	3,92	2,36	3,92
Gas consumption G30 (15°C)	kg/h	0,81	1,14	1,46	2,19	2,27	3,08	3,64	4,04	2,43	4,04
Weight	kg	48 / 65*	66 / 91*	81 / 112*	97 / 136*	132 / 190*	132 / 190*	132	168 / 244*	101	143
Electrical power	W	55	57	60	60	60	63	63	63	60	63
Recommended suspension height, horizontal	m	4	4	4	5	5	5	7	7	5	7
Recommended suspension height, 30° angle	m	4	4	4	4	4	5	6	6	5	6
Burner pressure G25	mbar	16,0	16,0	16,0	16,0	16,0	16,0	16,0	16,0	16,0	16,0
Burner pressure G20	mbar	11,0	11,0	11,0	11,5	11,5	11,5	11,5	11,5	12,0	12,0
Burner pressure G31	mbar	35,1	35,1	35,1	35,1	35,1	35,1	35,1	35,1	35,1	35,1
Burner pressure G30	mbar	27,2	27,2	27,2	27,2	27,2	27,2	27,2	27,2	27,2	27,2
Sound level at 5 metres	dB(A)	41	41	42	42	42	43	43	43	42	43

\* Single-/ Double-walled reflector

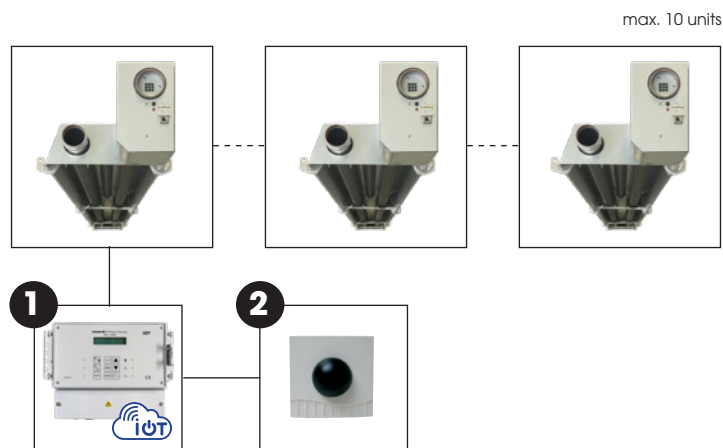
## Accessories – flue gas exhaust



- 1 Extension set
- 2 90° elbow
- 3 45° elbow
- 4 Single flue set horizontal
- 5 Single flue set vertical
- 6 Roof flashing for pitched roof
- 7 Adhesive plate
- 8 Flexible roof flashing for cladded roof



## Controls

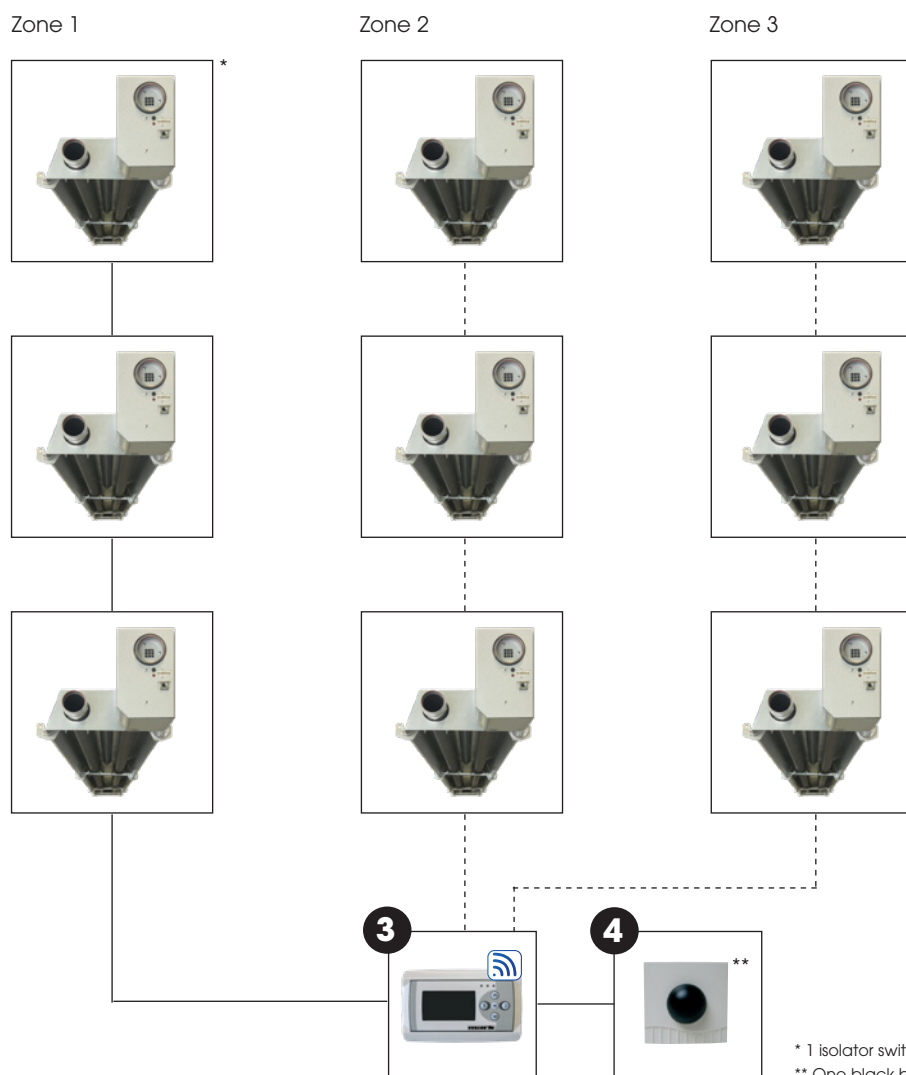


### Control combination options

Infra + **1** + **2**

1 = PinTherm Infra Connect with Ethernet, Modbus and Cloud control (IoT: 0629109-50 / IoT+WiFi: 3003871)  
 2 = External black bulb sensor (0629087)

## Zone control



### Control combination options zones Infra

2 zones + **3** + **4** + **4**

3 zones + **3** + **4** + **4** + **4**

3 = Zone control Infra (0629087)  
 4 = External black bulb sensor (0629082)

\* 1 isolator switch per Infra  
 \*\* One black bulb sensor per zone



## Prices Infra / Infra Mono



**PRODUCT - INFRA, ON/OFF BURNER, SINGLE-WALLED, NATURAL GAS G20**

Code nr.	Description	Price
5033010+5025100	INFRA 10-3, nominal power 10,0 kW	€ 2732
5033016+5025106	INFRA 15-5, nominal power 14,0 kW	€ 3062
5033011+5025101	INFRA 20-6, nominal power 18,0 kW	€ 3207
5033013+5025103	INFRA 30-6, nominal power 27,0 kW	€ 3613
5033012+5025102	INFRA 30-9, nominal power 30,0 kW	€ 4191
5033014+5025104	INFRA 40-9, nominal power 38,0 kW	€ 4210
5033017+5025104	INFRA 50-9, nominal power 46,0 kW	€ 4210
5033015+5025105	INFRA 50-12, nominal power 49,9 kW	€ 4804
5033070+5025141	INFRA MONO 30-12, nominal power 30,0 kW	€ 3893
5033073+5025143	INFRA MONO 50-18, nominal power 49,9 kW	€ 4657

*Other gas types available on request. Always mention both order codes when placing an order.*



**PRODUCT - INFRA, HIGH/LOW BURNER, SINGLE-WALLED, NATURAL GAS G20**

Code nr.	Description	Price
5033040+5025100	INFRA 10-3, nominal power 10,0 kW	€ 2758
5033046+5025106	INFRA 15-5, nominal power 14,0 kW	€ 3087
5033041+5025101	INFRA 20-6, nominal power 18,0 kW	€ 3233
5033043+5025103	INFRA 30-6, nominal power 27,0 kW	€ 3638
5033042+5025102	INFRA 30-9, nominal power 30,0 kW	€ 4216
5033044+5025104	INFRA 40-9, nominal power 38,0 kW	€ 4243
5033047+5025104	INFRA 50-9, nominal power 46,0 kW	€ 4243
5033045+5025105	INFRA 50-12, nominal power 49,9 kW	€ 4829
5033075+5025141	INFRA MONO 30-12, nominal power 30,0 kW	€ 3919
5033078+5025143	INFRA MONO 50-18, nominal power 49,9 kW	€ 4683

*Other gas types available on request. Always mention both order codes when placing an order.*



**PRODUCT - INFRA, ON/OFF BURNER, DOUBLE-WALLED, NATURAL GAS G20**

Code nr.	Description	Price
5033010+5025110	INFRA 10-3, nominal power 10,0 kW	€ 3024
5033016+5025116	INFRA 15-5, nominal power 14,0 kW	€ 3598
5033011+5025111	INFRA 20-6, nominal power 18,0 kW	€ 3768
5033013+5025113	INFRA 30-6, nominal power 27,0 kW	€ 4143
5033012+5025112	INFRA 30-9, nominal power 30,0 kW	€ 4971
5033014+5025114	INFRA 40-9, nominal power 38,0 kW	€ 4990
5033017+5025114	INFRA 50-9, nominal power 46,0 kW	€ 4990
5033015+5025115	INFRA 50-12, nominal power 49,9 kW	€ 5850

*Other gas types available on request. Always mention both order codes when placing an order.*



**PRODUCT - INFRA, HIGH/LOW BURNER, DOUBLE-WALLED, NATURAL GAS G20**

Code nr.	Description	Price
5033040+5025110	INFRA 10-3, nominal power 10,0 kW	€ 3050
5033046+5025116	INFRA 15-5, nominal power 14,0 kW	€ 3623
5033041+5025111	INFRA 20-6, nominal power 18,0 kW	€ 3794
5033043+5025113	INFRA 30-6, nominal power 27,0 kW	€ 4168
5033042+5025112	INFRA 30-9, nominal power 30,0 kW	€ 4996
5033044+5025114	INFRA 40-9, nominal power 38,0 kW	€ 5023
5033047+5025114	INFRA 50-9, nominal power 46,0 kW	€ 5023
5033045+5025115	INFRA 50-12, nominal power 49,9 kW	€ 5875

*Other gas types available on request. Always mention both order codes when placing an order.*

**PRODUCT - STAINLESS STEEL INFRA, ON/OFF BURNER, SINGLE-WALLED, NATURAL GAS G20, WATERPROOF STAINLESS STEEL VERSION FOR HUMID ROOMS**

Code nr.	Description	Price
5033110+5025200	Stainless steel INFRA10-3, nominal power 10,0 kW	€ 8657
5033116+5025206	Stainless steel INFRA 15-5, nominal power 14,0 kW	€ 9395
5033111+5025201	Stainless steel INFRA 20-6, nominal power 18,0 kW	€ 10055
5033113+5025203	Stainless steel INFRA 30-6, nominal power 27,0 kW	€ 10102
5033112+5025202	Stainless steel INFRA 30-9, nominal power 30,0 kW	€ 11802
5033114+5025204	Stainless steel INFRA 40-9, nominal power 38,0 kW	€ 11844
5033117+5025204	Stainless steel INFRA 50-9, nominal power 46,0 kW	€ 12016
5033115+5025205	Stainless steel INFRA 50-12, nominal power 49,9 kW	€ 12972

*Other gas types available on request. Always mention both order codes when placing an order.*

**PRODUCT - STAINLESS STEEL INFRA, HIGH/LOW BURNER, SINGLE-WALLED, NATURAL GAS G20, WATERPROOF STAINLESS STEEL VERSION FOR HUMID ROOMS**

Code nr.	Description	Price
5033140+5025200	Stainless steel INFRA 10-3, nominal power 10,0 kW	€ 8778
5033146+5025206	Stainless steel INFRA 15-5, nominal power 14,0 kW	€ 7860
5033141+5025201	Stainless steel INFRA 20-6, nominal power 18,0 kW	€ 10166
5033143+5025203	Stainless steel INFRA 30-6, nominal power 27,0 kW	€ 10212
5033142+5025202	Stainless steel INFRA 30-9, nominal power 30,0 kW	€ 11913
5033144+5025204	Stainless steel INFRA 40-9, nominal power 38,0 kW	€ 11955
5033147+5025204	Stainless steel INFRA 50-9, nominal power 46,0 kW	€ 12110
5033145+5025205	Stainless steel INFRA 50-12, nominal power 49,9 kW	€ 11772

*Other gas types available on request. Always mention both order codes when placing an order.*



**ACCESSORIES - FLUE FAN - FOR INFRA 10-3 / 15-5 / 20-6 / 30-6 / 30-9 / MONO 30-12**

Code nr.	Description	Price
5990556	Single flue set vertical, ø 80mm. External diameter 125mm	€ 193
5990579	Single pipe horizontal, ø 80mm. External diameter 125mm	€ 144
5990727	Set ALU pipes ø 80mm, length 500 mm	€ 67
5990732	Set ALU pipes ø 80mm, length 1000 mm	€ 82
5990733	Set ALU elbows 90°, ø 80mm (2 pieces)	€ 53
5990734	Set ALU elbows 45°, ø 80mm (2 pieces)	€ 74
5017656	Reducer kit 2 x from ø 80 to ø 100 / 2x from ø 100 to ø 80	€ 324
0540927	Roof flashing, only in combination with 5990556	€ 37
3040927	Adhesive coated roof flashing for plastic roofing, only in combination with 5990556	€ 68
0540804	Roof flashing 20 to 35°, only in combination with 5990556	€ 99
0540807	Dektite 4"-7"	€ 255
0540820	Dektite 5"-9"	€ 159
5990520	Flue gas cooler ø 80	€ 252
5018047	Flexible connection ø 80 intake side	€ 114



**ACCESSORIES - FLUE FAN - FOR INFRA 40-9 / 50-9 / 50-12 / MONO 50-18**

Code nr.	Description	Price
5990560	Single flue set vertical, ø 100mm. External diameter 160mm	€ 333
5990583	Single pipe horizontal, ø 100mm. External diameter 160mm***	€ 234
5990728	Set ALU pipes ø 100mm, length 500 mm	€ 81
5990736	Set ALU pipes ø 100mm, length 1000 mm	€ 118
5990737	Set ALU elbows 90°, ø 100mm (2 pieces)	€ 74
5990738	Set ALU elbows 45°, ø 100mm (2 pieces)	€ 80
5017657	Reducer kit 2 x from ø 100 to ø 130 / 2x from ø 130 to ø 100	€ 156
0540929	Roof flashing, only in combination with 5990560	€ 39
3040929	Adhesive coated roof flashing for plastic roofing, only in combination with 5990560	€ 93
0540806	Roof flashing 15 to 60°, only in combination with 5990560	€ 100
0540807	Dektite 4"-7"	€ 255
0540820	Dektite 5"-9"	€ 159
5990521	Flue gas cooler ø 100	€ 315
5018057	Flexible connection ø 100 intake side	€ 129

**ACCESSORIES - FLUE FAN - GENERAL**

Code nr.	Description	Price
5990744	Set ALU pipes ø 130mm, length 1000 mm	€ 181
5990741	Set ALU elbows 90°, ø 130mm (2 pieces)	€ 263
5990742	Set ALU elbows 45°, ø 130mm (2 pieces)	€ 196
3199749	Box draught diverter ø 130mm	€ 97



**ACCESSORIES - CONTROLS**

	Code nr.	Description	Price
1	0629109-50	PinTherm Infra Connect IoT room thermostat with Ethernet, Modbus and Cloud control	€ 835
1	3003871	PinTherm Infra Connect IoT/WiFi room thermostat with Ethernet, Modbus and Cloud control	€ 883
3	3003795	Zone control Infra****	€ 2377
2	0629087	External black bulb sensor for 0629109-50/3003871	€ 140
4	0629082	External black bulb sensor RSTF PT1000 for 3003795	€ 141
	0631162	Isolator switch, separate delivery, 230V (2 poles)	€ 63
	0631163	Isolator switch, separate delivery, 230V (4 poles)**	€ 71

*For explanation see chapter control equipment. Control boxes on request.*

**ACCESSORIES - ASSEMBLY**

	Code nr.	Description	Price
	3187210	Set wall mounting brackets INFRA 10-3 / 15-5 / 20-6 / 30-6	€ 237
	3187212	Set wall mounting brackets INFRA 30-9 / 40-9 / 50-9 / 50-12 / INFRA MONO 30-12	€ 290
	3187214	Set wall mounting brackets INFRA MONO 50-18	€ 359
	1999053	Wire rope suspension set suitable for mounting to a roof beam. Cable length up to 3m.	€ 29
	1999055	Wire rope suspension set suitable for mounting on concrete/wooden roof. Cable length up to 3m.	€ 29
	1999057	Wire rope suspension set suitable for mounting on sheet piling roof. Cable length up to 3m.	€ 29

*Ball guard on demand*

**ACCESSORIES - OTHER**

	Code nr.	Description	Price
	5018020	Flexible hose 3/4" - 1/2"	€ 147
	0607001	Gas pressure regulator for up to 100 mbar, connection 1/2"	€ 270

**REMARKS**

\* Also order 0629087

\*\* Only select when unit is high/low

\*\*\* Not applicable for INFRA MONO

\*\*\*\* Also order 0629082 (one for each zone)