

SHOPHEATER

GAS-FIRED AIR HEATER



The compact gas-fired air heater

In addition to the “standard” GSD, Mark also offers a compact gas-fired suspended air heater, the Mark SHOPHEATER AR. With its low height, this air heater is excellently suited to heat low-ceiling rooms. The SHOPHEATER is equipped with an axial fan and a tube heat exchanger as standard.

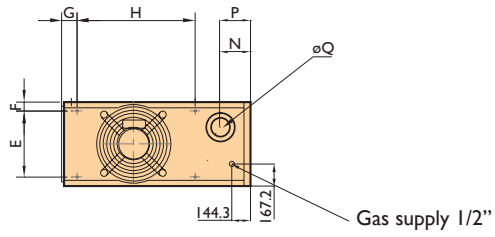
The air heater is designed for use in showrooms, shops, multi-tenant business buildings and warehouses among other applications.

Features

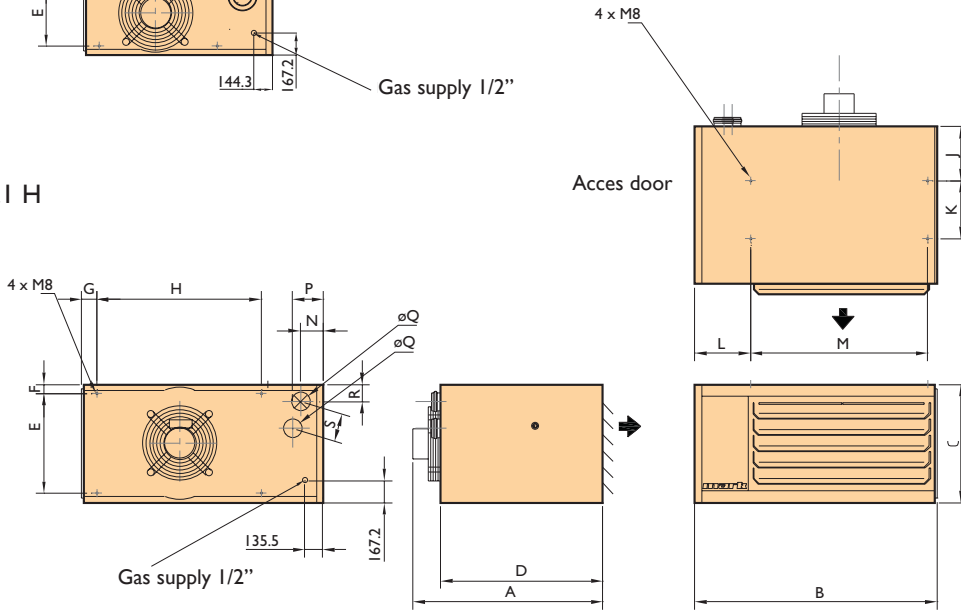
- Compact construction
- Low weight
- Aluminium pipes exchanger
- Simple assembly and operation
- Painted in colour white RAL
- Low noise

Dimensions

TYPE AR 1.1 H



TYPE AR 2.1 H

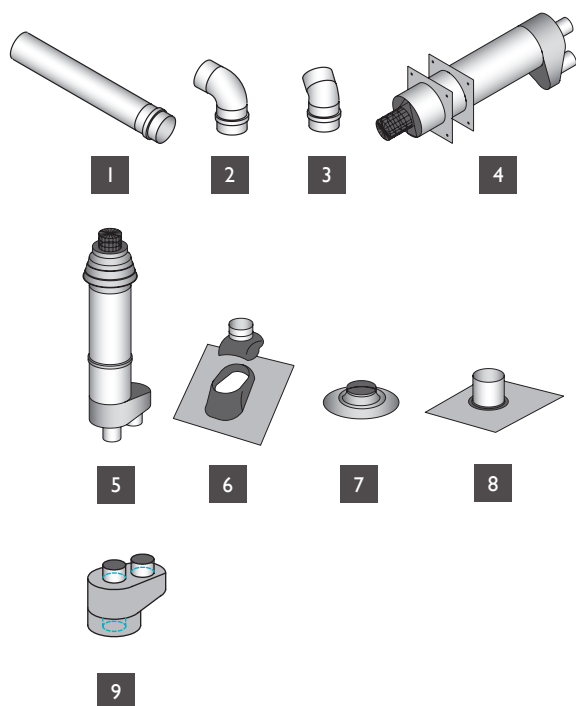


Type	AR 1.1 H	AR 2.1 H
A	780	800
B	810	1040
C	356	460
D	677	677
E	250	380
F	53	40
G	80	100
H	450	677
J	235	235
K	250	250
L	205	225
M	535	765
N	100	85
P	100	113
ØQ	80-125	2x80
R	110	50
S	0	120

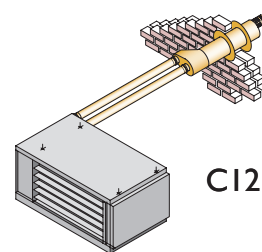
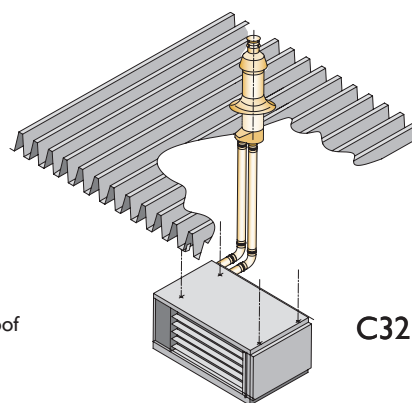
Technical information

Type		AR 1.1 H	AR 2.1 H
Nominal load (lower value)	kW	14,2	20
Nominal power	kW	13,1	18,4
Gas consumption G20	kg/h	1,5	2,12
Gas consumption G25	kg/h	1,76	2,35
Gas consumption G31	kg/h	1,11	1,56
Efficiency	%	>91	>91
Air displacement (15°C)	m³/h	1350	1450
Air displacement (50°C)	m³/h	1500	1650
Throw	m	12	12
Supply voltage (50Hz)	V	1~230 V	1~230 V
Electrical power	W	290	300
Weight	kg	57	82
Noise level at 5m	dB(A)	45	47

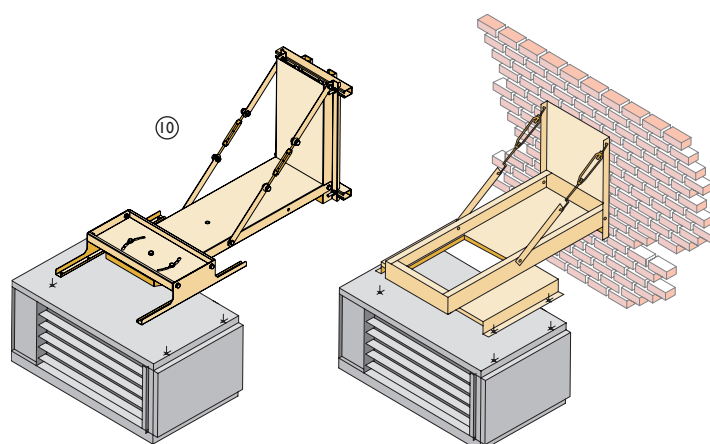
Accessories – flue gas exhaust



- 1 Extension set
- 2 90° elbow
- 3 45° elbow
- 4 Single flue set horizontal
- 5 Single flue set vertical
- 6 Roof flashing for slanting roof
- 7 Adhesive plate
- 8 Flexible roof flashing for sheetpile wall
- 9 Concentric boot piece for single pipe system
- 10 Reversible wall bracket



Accessories – additional sections



Controls

